

# ROCKAWAY

***SUPER DUTY LANDSCAPING TOOL***



MODELS

7415SD and 8415SD

## **Operation, Maintenance, Parts, and Safety Manual**

SN: \_\_\_\_\_



10 S. New Holland Rd. Gordonville, PA 17529  
717.929.0472 • 800.879.6507 • [idealrockaway.com](http://idealrockaway.com)

# OPERATION

After the Rockaway has been installed on the skid steer, lower the bucket to the ground and tilt it forward about 15°, no down pressure is needed on the bucket.

With engine throttle at about half, engage the rotor and begin backing up with the skid steer, slowly, so the rocks and dirt can be processed completely. At this point, dirt and rocks are processed together through the rotor. The bucket should be about half full for the Rockaway to operate correctly. If you dump the bucket too often, the unit will not be able to process the soil well enough and you will dump too much dirt.

When the bucket is kept at about half-full, the dirt clumps are broken up, leaving only rocks in the bucket. Dirt, fine enough for seeding, passes through the rotor and out the back of the Rockaway screen. You may have to make a rough pass in some conditions, depending on how rocky the soil is, and then a final pass to level the soil and finish for seeding.

When it comes time to empty the bucket, raise it, along with the Rockaway, and move to the dumping area. When the loader arms are raised and the bucket with Rockaway rolled forward, rocks are dumped out between the cutting edge and the rotor. Reversing the rotor may be helpful when dumping large rocks. Remember, never dump the bucket higher than the safety instructions provided by the manufacturer of your skid steer.

Although the Rockaway performs its rock-picking functions operating in reverse, it is also designed to push small amounts of dirt when moving forward. Operators find this a convenient way to level the ground being worked on.

# MAINTENANCE

## *Before Every Operation*

- Make sure attaching pins are secure, with hairpin cotters locking them
- Make sure all bolts and nuts are in place and tight
- Make sure hydraulic fittings are tight, with no leaks
- Make certain safety decals are in place, clean and legible
- Replace any damaged or worn parts

## *After 10 Hours of Operation*

- Grease the two fittings, one at each rotor bearing
- Make sure chain has ½" (6mm) slack. If not, adjust with the movable motor mount

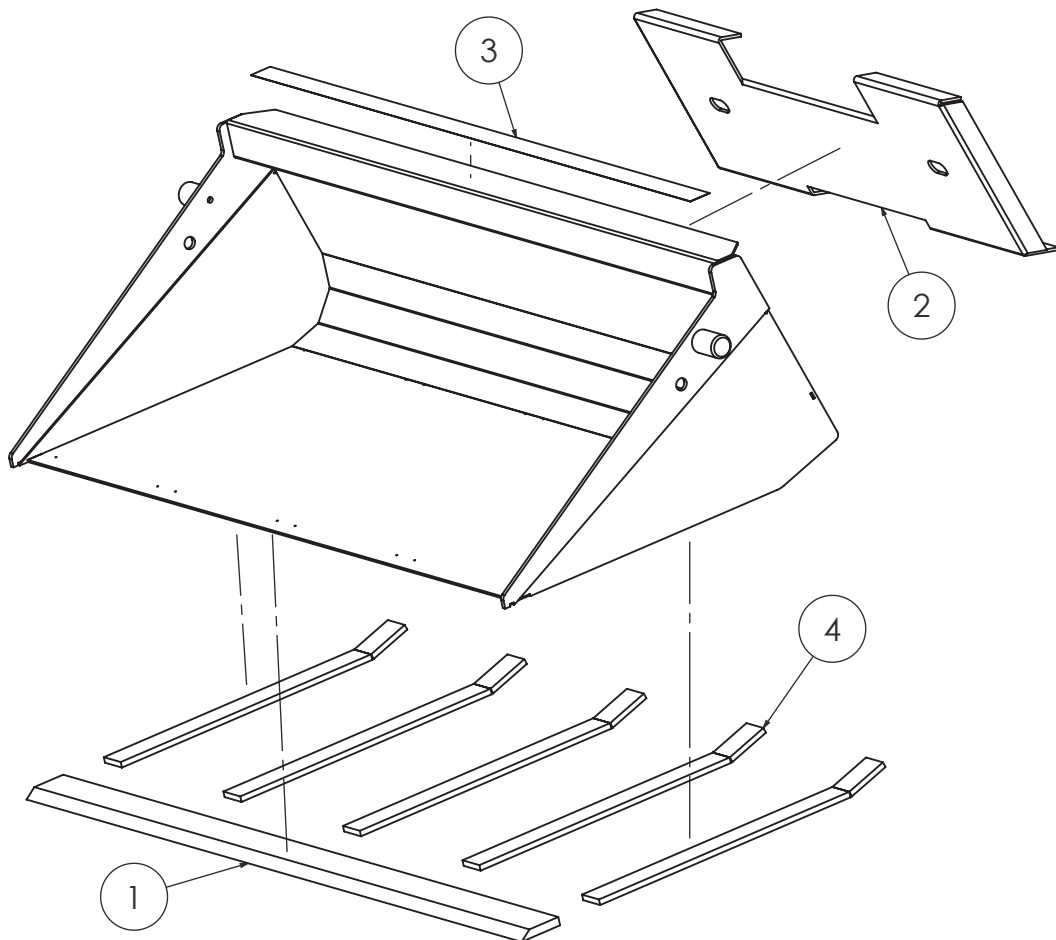
## *After 40 Hours of Operation*

- Make sure chain has ½" (6mm) slack. If not, adjust with the movable motor mount

# Rockaway Super Duty 7415 and 8415

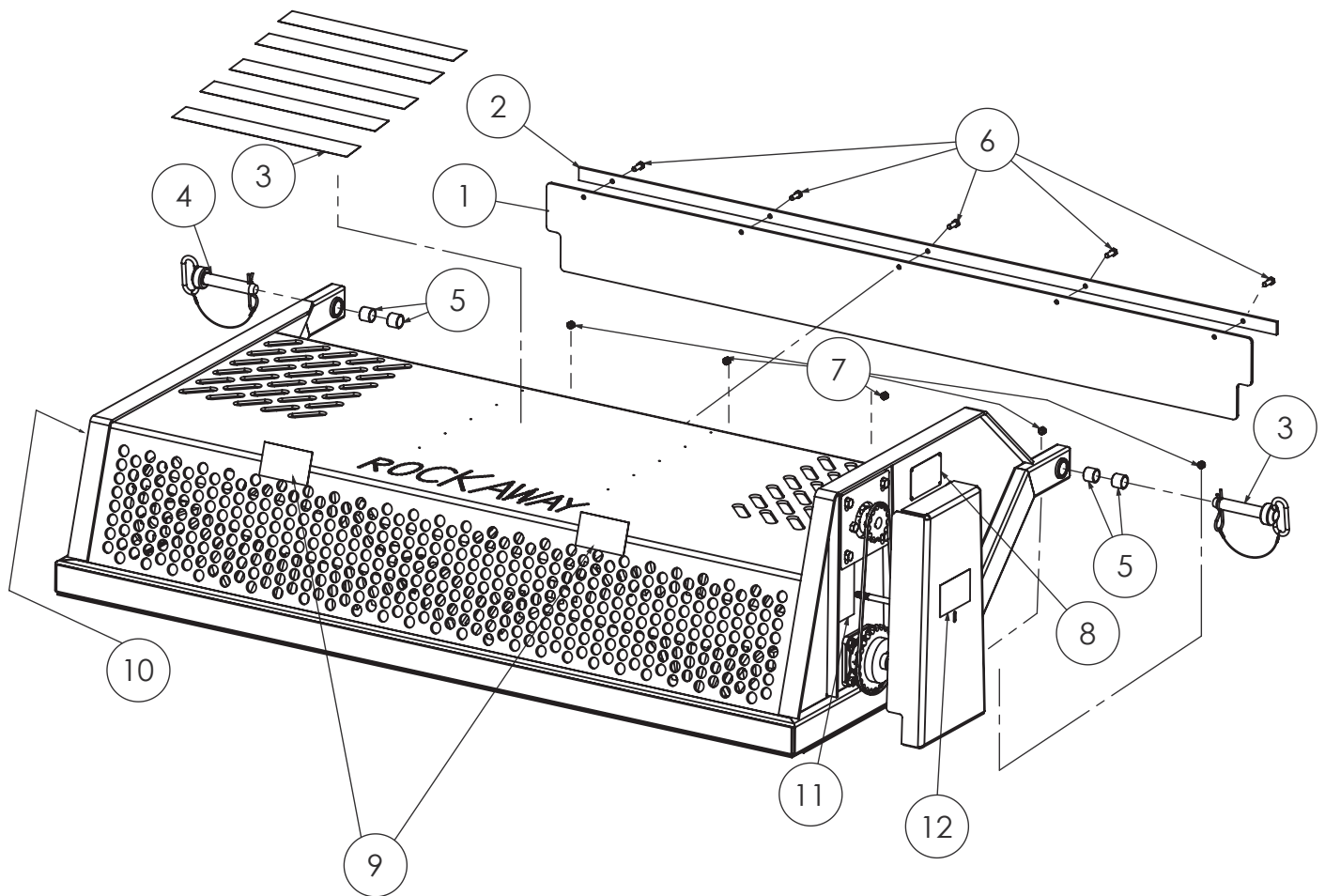
## Bucket Parts List and Assembly

	7415SD	8415SD		
Item	Part #	Part #	Description	Qty
	B741500	B841500	Entire Bucket Assembly	1
1	B741502	B841502	Cutting Edge	1
2	B741503	B841503	Attachment Plate	1
3	B741550	B841550	Grip Tape	1
4			Replacement skids	5



## Hood Parts List and Assembly

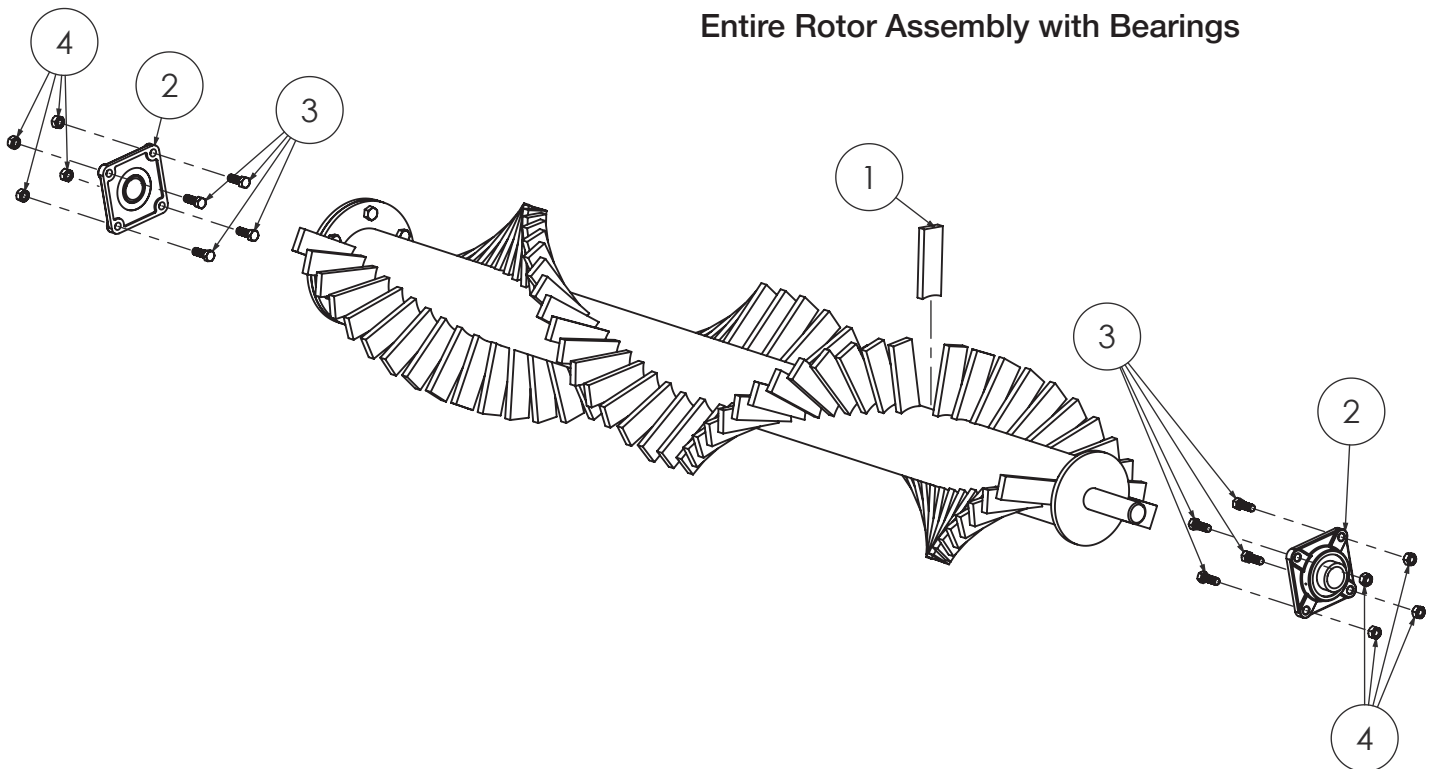
	7415SD	8415SD		
Item	Part #	Part #	Description	Qty
	H741500	H841500	Entire Hood Assembly	1
1	H741502	H841502	Rubber Strip	1
2	H741503	H841503	Steel Bar - 5 Hole	1
3	B741550	B841550	Grip Tape Set	1
4	H748404		Hitch Pin with tether and safety pin	2
5	H748402		Plastic Bearing	4
6	H5C38X1		3/8 X 1" Hex Head Bolt	5
7	FN38		3/8"-16 Flange Nut	5
8	H748425		Serial Number Plate	1
9	DECAL		Flying Debris Hazard	2
10	DECAL		Rotation	1
11	DECAL		Do Not Operate Without Guards	1
12	DECAL		Keep Guards In Place	1



# Rockaway Super Duty 7415 and 8415

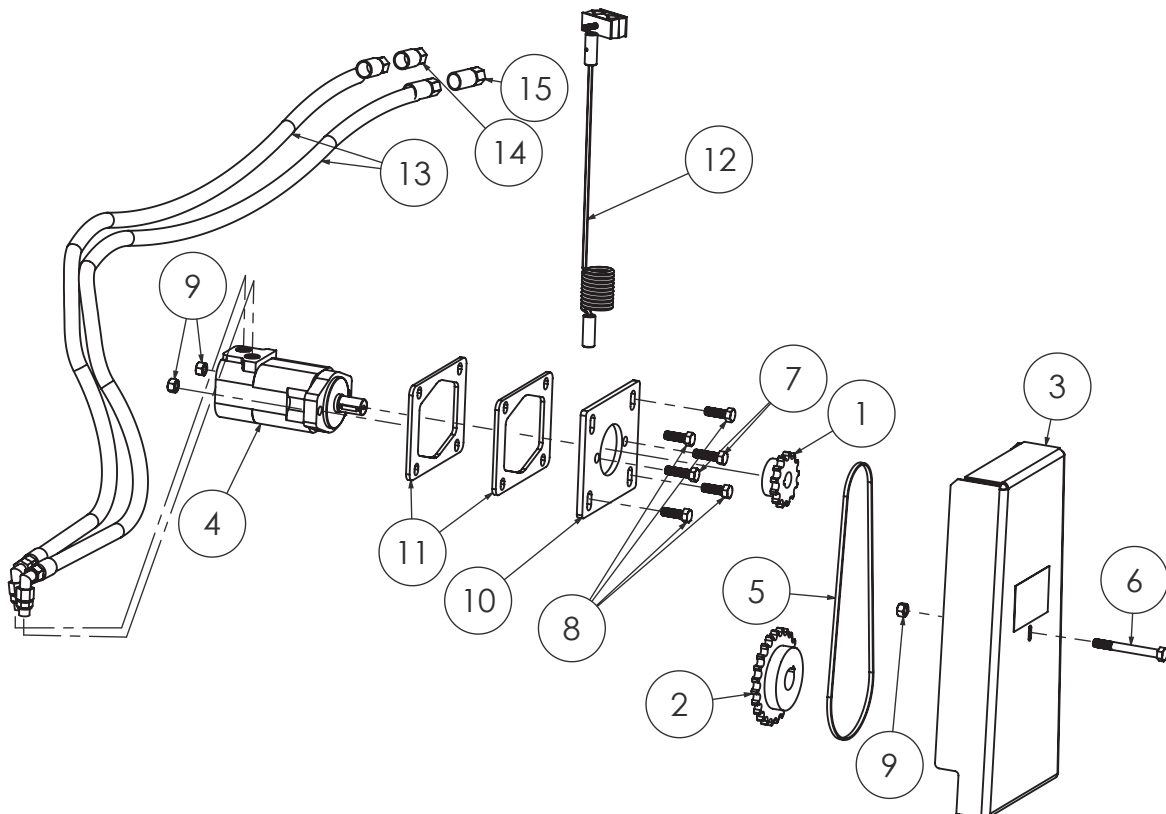
## Rotor Assembly

	7415SD	8415SD		
Item	Part #	Part #	Description	Qty
	H741500	H841500	Entire Rotor Assembly	1
1	R748403		Hardox Tooth	104
1	R748403		Hardox Tooth	126
2	R748404		4 Bolt Flange Bearing	2
3	H5C16X114		1/2" x 1-1/4" Hex Head Bolt	8
4	LC12		1/2" Lock Nut	8



## Drive Parts List

	7415SD	8415SD		
Item	Part #	Part #	Description	Qty
1	H748410		Motor Sprocket	1
2	H748411		Rotor Sprocket	1
3	H748412		Chain Guard	1
4	H748416		Eagle Motor	1
5	ROLLCHA80		#80 Roller Chain	43
5	CON80		#80 Connector Link	1
6	H5C12X412		1/2-13x4 1/2" NC cap screw zinc	1
7	H5C12X134		1/2-13x1 3/4" NC cap screw zinc	2
8	H5C12X112		1/2-13x1 1/2" NC cap screw zinc	4
9	LC12		1/2-13 NC nut zinc	7
10	H748409		Motor Mount Plate	1
11	H748408		Motor Spacers	2
12	H748114		Hose Holder Spring Assembly	1
13	8M3K		Hoses	2
14	RA9006		Quick Coupling Male	1
15	RA9007		Quick Coupling Female	1



# INSTALLATION

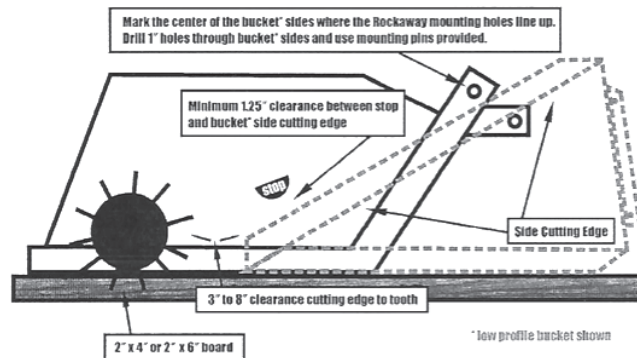
## 1. Before beginning Installation.

Make sure you have the correct width Rockaway for your Bucket.

### **For Buckets with Outside width of:**

7415H – 68" to 73.5" (1.73m – 1.87m)

8415H – 78" to 83.5" (1.98m – 2.12m)



## 1. Uncrate Rockaway.

Lay out two 2" x 4" or 2" x 6" boards on a firm, flat, level surface, parallel to the side sheets of the Rockaway. Using a forklift, position the Rockaway on top of them, so each side sheet rests its entire length on the wide side of a board. Later, when you position your bucket, its outside edges will also rest on these boards.

Measure the distance from the rotor teeth to the ground between the boards; it should be about 1.5".

## 2. Cutting the pin guides to suit bucket width.

There are two pin guides on each side of the Rockaway; use high or low guides, depending upon the type of bucket. Measure the outside width of the loader bucket. Cut off the pin guides so the distance from the inside of the left guide to the inside of the right guide is  $\frac{1}{4}$ " longer than the outside width of the bucket.

Save the cut-off pieces for spacers.

## 3. Drilling holes in bucket sides.

With bucket attached to the loader, drive into the position you want the Rockaway to be in when mounted, making sure the bucket edge does not hit the stops. Measure from the top of the pin guide you will be using to the top edge of the bucket. This measurement will vary depending on the type of bucket, but it is important this measurement be the same on both sides.

Measure from the end of the rotor teeth to the bucket cutting edge. This distance should be between 3" – 8". If not, the other two pin guides will have to be used, so the proper measurement is achieved.

Drill a pilot hole in each bucket side, using the pin guides as templates. Using the loader, back the bucket away from the Rockaway. Using a hole saw, drill a 1" hole in each bucket side sheet. Clean out the drilled holes with a reamer.

## 4. Making the final installation.

With the loader, drive the bucket into the Rockaway.

Line up the newly-drilled holes with the pin guides.

Insert the pins and fasten with hairpin cotters, with cotters toward the inside of the Rockaway; use the guide pieces cut off earlier as spacers between the cotters and the bucket end sheets.

Attach hydraulic quick couplers.

# SAFETY

**Make sure you read the Operator's Manual thoroughly before starting off, working with, servicing, or carrying out any other operation on your Rockaway. A few minutes of reading will save you time and hassle later. Lack of knowledge could lead to accidents.**



There are important safety decals on your Rockaway. Their locations are shown on Page 4. Please take time to find these decals and read them carefully. Understand and practice safety precautions as though your life depends on them. It does!

Your Rockaway was designed with safety in mind. However, there is no real substitute for caution and attention in preventing accidents. Once an accident has happened, it's too late to think about what you should have done!

## GENERAL SAFETY PRECAUTIONS

1. It is very important to use the Rockaway only on the buckets of loaders with the correct load capacity for each of the two Rockaway sizes.
2. Never modify the Rockaway, nor add to it any attachments not specifically approved by the manufacturer.
3. Always make sure the control levers and pedals are in their neutral position before starting the loader engine.
4. Check before use to make sure the Rockaway is securely fastened to the loader bucket.
5. Make sure you always wear safety goggles while operating your Rockaway.
6. Keep all bystanders at least six feet (2 M) away from your Rockaway while it is operating.
7. Operate the Rockaway only from the loader operator's seat. Make sure you have fastened your seat belt and you have engaged any other safety devices with which the loader is equipped.
8. Keep your hands and feet inside the loader while operating the Rockaway.
9. When first learning to use the Rockaway, operate it slowly until you get the feel of it.
10. Never dump the bucket higher than the safety instructions provided by the manufacturer of your skid steer.
11. Always lower and level the Rockaway before you leave the operator's seat
12. The Rockaway must be lowered all the way to the ground and the loader engine stopped before cleaning, servicing or repairing the unit.



## LIMITED WARRANTY

**Ideal Manufacturing LLC** warrants to the original purchaser, all **Rockaway** units, manufactured by it, to be free from defects in both material and workmanship under normal use and service.

**Ideal Manufacturing LLC** obligation under this Warranty shall be limited to replacement or repair of any parts thereof, free of charge to the original Purchaser, at its place of business, provided, however, that the part(s) to be replaced or repaired, shall **within 1 year** after delivery to the original Purchaser, be demonstrated to be defective: which determination shall be made by the company.

The said components to parts must be returned through the Selling dealer or distributor directly to the Company with all transportation charges prepaid.

---

**Notice of defects** shall be furnished in writing to the Seller and to the agent through whom the machinery was received, disclosing in full all known defects and failure in operation and use and reasonable time shall be given to the Seller to remedy any such defects and failures.

**Failure to make such trial** or to give such notice shall be deemed an absolute acceptance by the Buyer and satisfaction in full of this Limited Warranty.

---

**Under no circumstances** does this warranty cover normal wear of any parts, components or material which, in the opinion of the Seller and the Company, have been subjected to neglect, misuse, alteration, accident, or if repaired, with parts other than those manufactured by and obtained from **Ideal Manufacturing LLC**.

**This Warranty does not cover** components which are already covered by a separate Warranty provided by the supplier of said parts and components.

**The Ideal Manufacturing LLC's obligation** under this Warranty is limited to repair or replacement, free of charge to the original Purchaser, or any part which in the judgment of the Company is defective.

**THIS WARRANTY IS MADE EXPRESSLY IN LIEU OF ALL OTHER WARRANTIES, EXPRESSED OR IMPLIED, INCLUDING ANY WARRANTY OF MERCHANTABILITY AND FITNESS FOR USE AND PURPOSE AND OF ALL OTHER OBLIGATIONS OR LIABILITIES ON ITS PART AND ANY IMPLIED PERSON TO ASSUME FOR IT, ANY OTHER LIABILITY IN CONNECTION WITH A SALE OF THESE PRODUCTS.**

**THIS WARRANTY SHALL NOT APPLY TO THESE PRODUCTS OR TO ANY PART THERE OF WHICH HAS BEEN SUBJECT TO ACCIDENT, NEGLIGENCE, ALTERATION, ABUSE OR MISUSE.**

- The Company makes no warranty whatsoever in respect to accessories or parts not supplied by the Company.

The term "original purchaser", as used in this Warranty shall be deemed to mean that person for whom the product is originally supplied.

- The Company under this Warranty, cannot guarantee that existing conditions beyond its control will not affect its ability to obtain materials or manufacture necessary replacement parts.
- The Company reserves the right to make design changes, or specifications at anytime, without any contingent obligation on its parts to purchasers of machines and parts previously sold.

No one is authorized to alter, modify or change the terms of the Warranty in any manner

- The Company warrants the Construction of the equipment sold herein and will replace it at its expense for a period of **one year** from the date here of, any parts which prove defective as determined under the terms of the Limited Warranty.
- The Warranty shall apply only within the boundaries of the continental United States of America.